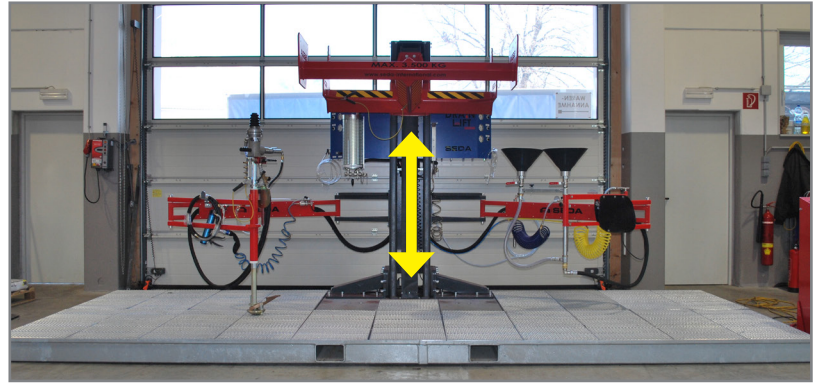




World leader in vehicle de-pollution technology



## SEDA MDS2 Plattform DrainLift

A-51091

# DRAIN LIFT

With quality control, HD Tank DrillingMachine on swing arm and double oil funnel on swing arm.

### Your benefits:

- Depollution and dismantling
- Mobile complete solution
- Sturdy and efficient
- Hydraulic lifting and pneumatic depollution system (Ex-proofed)
- Modular

## Mobile Depollution System

The SEDA MDS2 Plattform DrainLift is the ideal combination of a single hydraulic lift with the tried and tested SEDA drainage system, situated on a mobile platform.

Also making light work of vehicle dismantling.



Wheel dismantling



Door dismantling

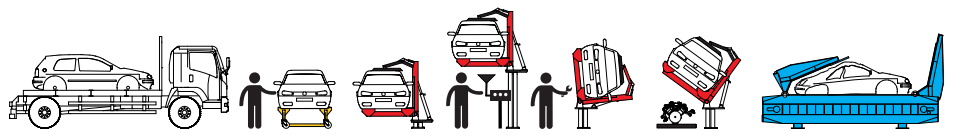


Easy engine access

The SEDA DrainLift can also be used without a mobile platform or in a container.



Leading Company of Austria



### SEDA-Umwelttechnik GmbH

Schwendter Str. 10 / 6345 Kössen / Tirol / Österreich  
UID-Nr.: ATU56621622 / FB-Nr.: FN 231790 v / FB-Gericht: Innsbruck  
Certified company according to DIN EN ISO 9001

T: +43 5375 6318-0  
F: +43 5375 6318-9  
E: info@seda.at  
W: www.seda-international.com

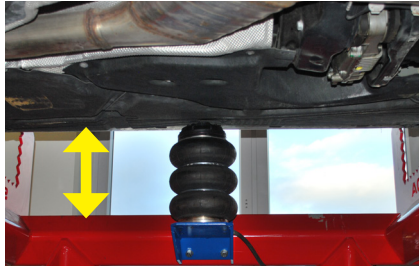


World leader in vehicle  
de-pollution technology



## SEDA MDS2 Platform DrainLift

A-51091



Optional vehicle lifting device



Operational control unit



Pump housing with quality  
control for petrol and diesel

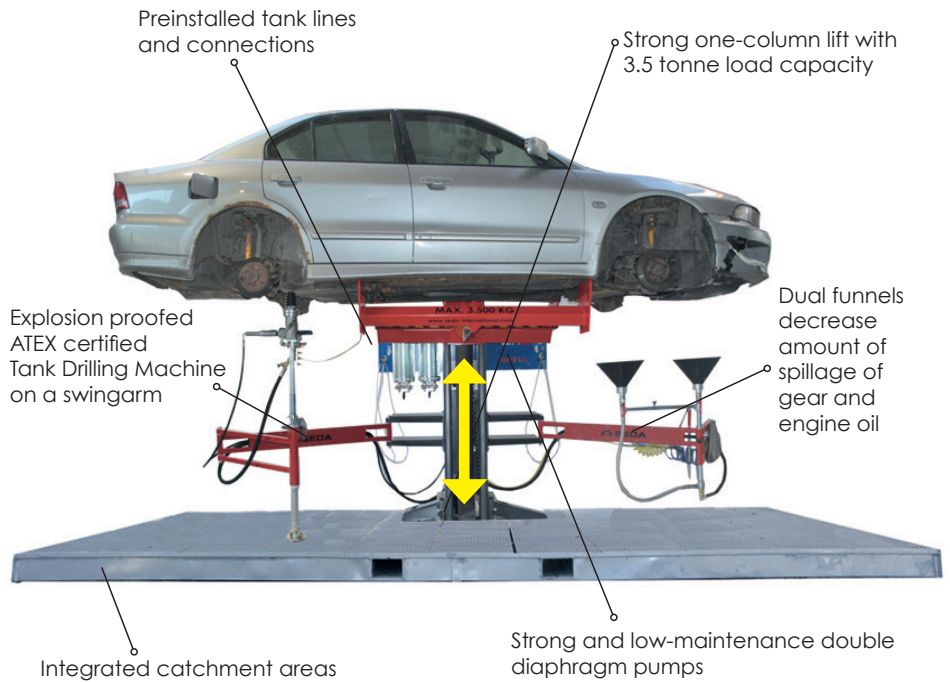


Easy access to vehicles  
underside due to H-design



Leading Company  
of Austria

### Mobile Depollution system

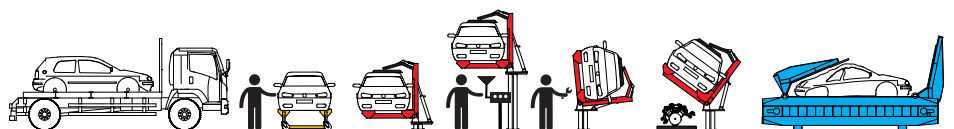


### TECHNICAL DETAILS

<b>Lifting height:</b>	up to 1800 mm
<b>Overall height:</b>	2410 mm
<b>Lifting time:</b>	appr. 30 s
<b>Loading cap.:</b>	4.000 kg
<b>Engine power:</b>	3 kW
<b>Power supply:</b>	3Ph/400 V/50 Hz
<b>Space:</b>	6.0 x 4.5 x 3.8 metre
<b>Compr. air:</b>	8 bar – 1.210 l/min.
<b>Fluids:</b>	Petrol/Diesel Waste oil Coolant Washer fluid Brake fluid

### ORDER INFORMATION

**A-51091** SEDA MDS2 Platform DrainLift  
**OPTIONAL ACCESSORIES:**  
**N-527621-ZP** Additional platform (5008 x 561 x 173 mm)  
**N-51128** Lifting device  
**N-528195** TPF5 tank platform with storage tanks for petrol, diesel, waste oil, washer fluid and coolant



### SEDA-Umwelttechnik GmbH

Schwendter Str. 10 / 6345 Kössen / Tirol / Österreich  
 UID-Nr.: ATU56621622 / FB-Nr.: FN 231790 v / FB-Gericht: Innsbruck  
 Certified company according to DIN EN ISO 9001

**P:** +43 5375 6318-0  
**F:** +43 5375 6318-9  
**E:** info@seda.at  
**W:** www.seda-international.com